



SABA TRADING CO.



Make Planet Greener

VERESK ETTESAL

FILTERS CATALOGE



Make Planet Greener

FILTERS CATALOGUE

*FILTRATION SYSTEMS
FOR
IRRIGATION*



SABA TRADING CO.



Make Planet Greener

VERESK ETTESAL

Irrigation Systems

FILTERS CATALOG



Polymeric Mini Y - Filters (3/4", 1")



- *Product Name : Mini Filter (Disk) ¾"*
- *Product Code : 3010101*

- *Product Name : Mini Filter (Disk) 1"*
- *Product Code : 3010103*



- *Product Name : Mini Filter (Screen) ¾"*
- *Product Code : 3010102*

- *Product Name : Mini Filter (Screen) 1"*
- *Product Code : 3010104*

Configuration & Advantages

- *Made of extremely hard polymer materials with long life*
- *Super soft discs with angled grooves to increase the level of filtration*
- *Disc cartridges with the ability to absorb suspended particles up to 125 microns (120 mesh)*
- *Screen cartridges with the ability to absorb suspended particles up to 125 microns (120 mesh)*
- *Compatible with weak acids*
- *Suitable for water purification in drip and sprinkler irrigation systems*
- *Reducing maintenance costs in irrigation systems*

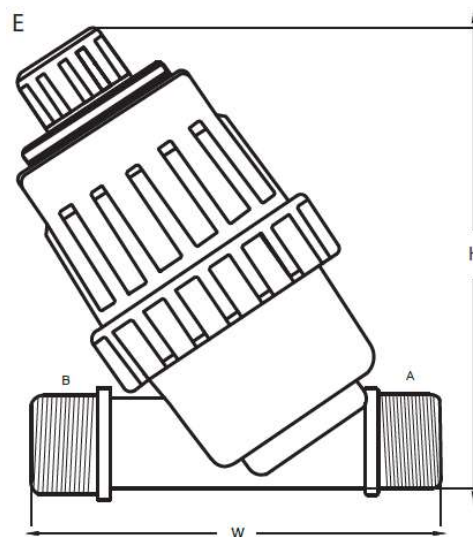


Technical specifications table

Product Code	Size	Filtration type	Filtration Degree (mesh)	Filtration Surface(cm ²)	Maximum pressure (bar)	Max flow (m ³ /h)
3010101	3/4"	Disc	120	90	10	5
3010102	3/4"	Screen	120	90	10	4
3010103	1"	Disc	120	90	10	5
3010104	1"	Screen	120	90	10	4

Product Code	Size	Number in the package	number in the box	Carton dimensions (cm)	Carton weight (kg)
3010101	3/4"	1	40	54x35x28	12
3010102	3/4"	1	40	54x35x28	9
3010103	1"	1	40	54x35x28	12
3010104	1"	1	40	54x35x28	11

Product Code	A	B	C	E	M	H(mm)	W(mm)	X(mm)	Weight(kg)
3010101	3/4"	3/4"	-	3/4"	-	168	134	-	0.3
3010102	3/4"	3/4"	-	3/4"	-	168	134	-	0.2
3010103	1"	1"	-	3/4"	-	163	125	-	0.3
3010104	1"	1"	-	3/4"	-	163	125	-	0.3





Polymeric Mini T - Filters (1 ½", 2")



- *Product Name : Mini Filter (Disk) 1 ½ "*
- *Product Code : 3010105*



- *Product Name : Mini Filter (Disk) 2"*
- *Product Code : 3010107*

- *Product Name : Mini Filter (Screen) 1 ½ "*
- *Product Code : 3010106*

- *Product Name : Mini Filter (Screen) 2"*
- *Product Code : 3010108*

Configuration & Advantages

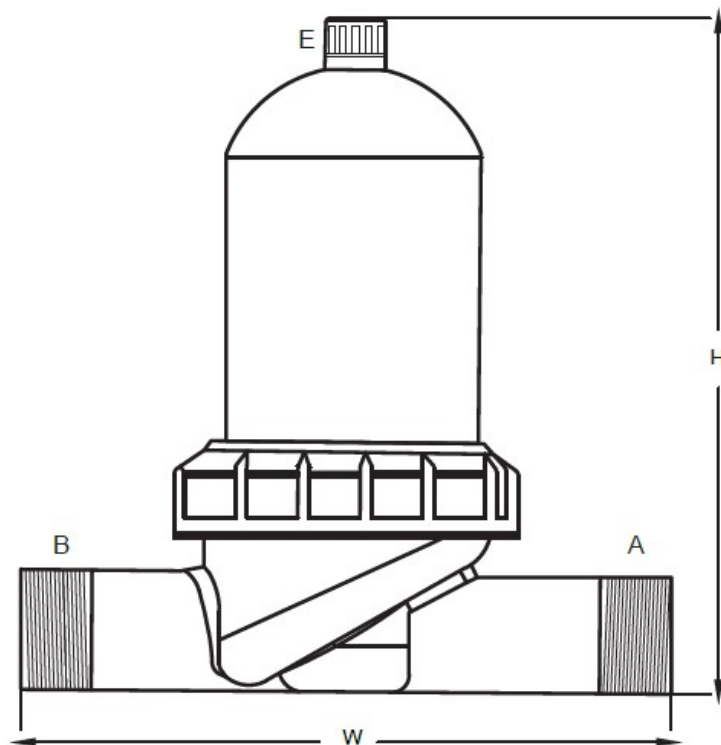
- *Made of extremely hard polymer materials with long life*
- *Super soft discs with angled grooves to increase the level of filtration*
- *Disc cartridges with the ability to absorb suspended particles up to 125 microns (120 mesh)*
- *Screen cartridges with the ability to absorb suspended particles up to 125 microns (120 mesh)*
- *Compatible with weak acids*
- *Suitable for water purification in drip and sprinkler irrigation systems*
- *Reducing maintenance costs in irrigation systems*



Technical specifications table

Product Code	Size	Filtration type	Filtration Degree (mesh)	Filtration Surface(cm ²)	Maximum pressure (bar)	Max flow (m ³ /h)
3010105	1-1/2"	Disc	120	246	8	11
3010106	1-1/2"	Screen	120	254	8	10
3010107	2"	Disc	120	246	8	11
3010108	2"	Screen	120	254	8	10

Product Code	Size	Number in the package	number in the box	Box dimensions (cm)	Box weight (kg)
3010105	1-1/2"	1	10	54x35x28	7
3010106	1-1/2"	1	10	54x35x28	12
3010107	2"	1	10	54x35x28	9
3010108	2"	1	10	54x35x28	12





Threaded Polymer Filters (2", 3", 4")



- **Product Name :** Helix Filter (Disk) 2"- 120 Mesh – 75cm
- **Product Code :** 3010206

- **Product Name :** Helix Filter (Screen) 2"- 120 Mesh - 75cm
- **Product Code :** 3010205

- **Product Name :** Helix Filter (Disk) 3"- 120 Mesh – 75cm
- **Product Code :** 3010208

- **Product Name :** Helix Filter (Screen) 3"- 120 Mesh - 75cm
- **Product Code :** 3010207



- **Product Name :** Double Helix Filter (Disk) 4"- 120 Mesh – 120 cm
- **Product Code :** 3010211

- **Product Name :** Double Helix Filter (Screen) 4"- 120 Mesh – 120 cm
- **Product Code :** 3010212

Configuration & Advantages

- Made of extremely hard polymer materials with long life (Threaded connection)
- Available in 75 and 120 cm height
- Equipped with Helix system to increase filtration speed
- Disc cartridges with the ability to absorb suspended particles up to 125 microns (120 mesh)
- Screen cartridges with the ability to absorb suspended particles up to 125 microns (120 mesh)
- Compatible with weak acids
- Suitable for water purification in drip and sprinkler irrigation systems
- Reducing maintenance costs in irrigation systems



Victaulic Polymer Filters (2", 3")



- **Product Name :** Helix Filter (Disk) 2"- 120 Mesh – 75cm
- **Product Code :** 3010252
- **Product Name :** Helix Filter (Screen) 2"- 120 Mesh - 75cm
- **Product Code :** 3010253
- **Product Name :** Helix Filter (Disk) 3"- 120 Mesh – 75cm
- **Product Code :** 3010254
- **Product Name :** Helix Filter (Screen) 3"- 120 Mesh - 75cm
- **Product Code :** 3010255



- **Product Name :** Double Helix Filter (Disk) 4"- 120 Mesh – 120 cm
- **Product Code :** 3010258
- **Product Name :** Double Helix Filter (Screen) 4"- 120 Mesh – 120 cm
- **Product Code :** 3010259

Configuration & Advantages

- Made of extremely hard polymer materials with long life (Victaulic connection)
- Available in 75 and 120 cm height
- Equipped with Helix system to increase filtration speed
- Disc cartridges with the ability to absorb suspended particles up to 125 microns (120 mesh)
- Screen cartridges with the ability to absorb suspended particles up to 125 microns (120 mesh)
- Compatible with weak acids
- Suitable for water purification in drip and sprinkler irrigation systems
- Reducing maintenance costs in irrigation systems

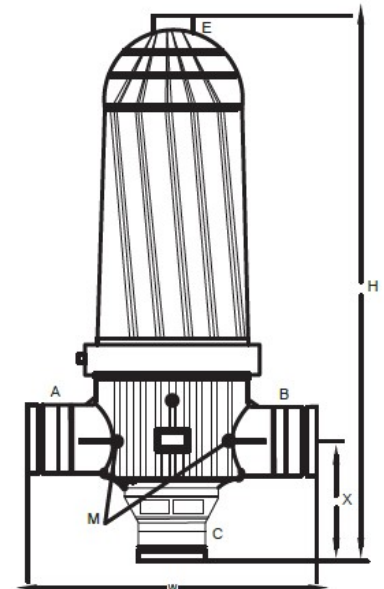
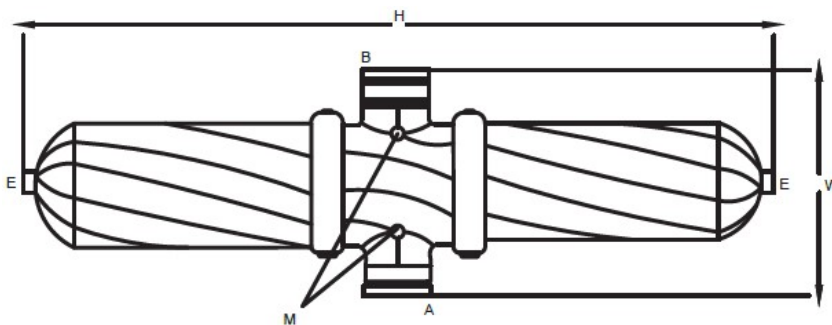


Technical specifications table

Product Code	Size	Filtration type	Filtration Degree (mesh)	Filtration Surface(cm ²)	Maximum pressure (bar)	Max flow (m ³ /h)
3010206-3010252	2"	Disc	120	1700	10	45
3010205-3010253	2"	Screen	120	1650	10	45
3010208-3010254	3"	Disc	120	1700	10	45
3010207-3010255	3"	Screen	120	1650	10	45
3010211-3010258	4"	Disc	120	3400	10	100
3010212-3010259	4"	Screen	120	3300	10	100

Product Code	Size	Number in the package	number in the box	Box dimensions (cm)	Box weight (kg)
3010206-3010252	2"	1	1	76x36x18	9
3010205-3010253	2"	1	1	76x36x18	7
3010208-3010254	3"	1	1	76x36x18	10
3010207-3010255	3"	1	1	76x36x18	8
3010211-3010258	4"	1	1	120x36x24	15
3010212-3010259	4"	1	1	120x36x24	10.5

Product Code	A	B	H(mm)	W(mm)	X(mm)	Weight(kg)
3010206-3010252	2"	2"	727	336	147	9
3010205-3010253	2"	2"	727	336	147	7
3010208-3010254	3"	3"	727	336	147	10
3010207-3010255	3"	3"	727	336	147	8
3010211-3010258	4"	4"	1180	350		15
3010212-3010259	4"	4"	1180	350		10.5





Automatic Polymer Filters (2",3",4")



- *Product Name* : Automatic helix filter with jack (Disk) 2"- 120 Mesh – 75cm
- *Product Code* : 3010301
- *Product Name* : Automatic helix filter with jack (Disk) 3"- 120 Mesh – 75cm
- *Product Code* : 3010302
- *Product Name* : Automatic double helix filter with jack (Disk) 4"- 120 Mesh – 75cm
- *Product Code* : 3010303



Configuration & Advantages

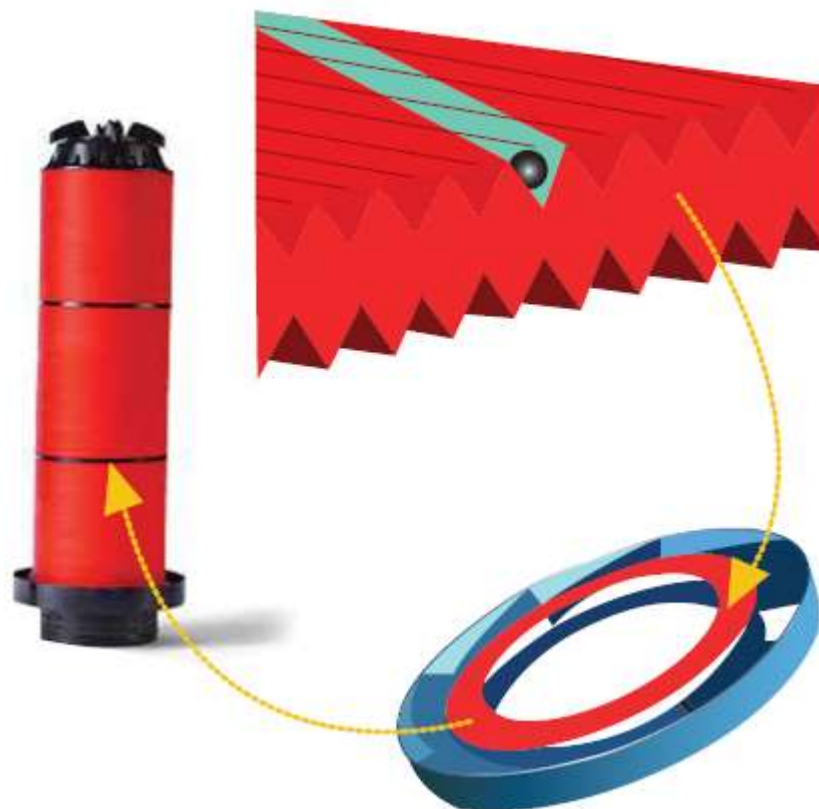
- *Made of extremely hard polymer materials with long life (Victaulic connection)*
- *Operation with pressure difference mechanism*
- *Equipped with a spring mechanism and the ability to open the discs during backwash*
- *Disc cartridges with the ability to absorb suspended particles up to 125 microns (120 mesh)*
- *Stainless steel spring material*
- *Washing with reverse system*
- *Suitable for water purification in drip and sprinkler irrigation systems*
- *Less need for manpower and increase in irrigation efficiency*
- *Removal of sand from water*
- *Using centrifugal force to remove suspended solids from water*



Technical specifications table

Product Code	Size	Filtration type	Filtration Degree (mesh)	Filtration Surface(cm ²)	Maximum pressure (bar)	Max flow (m ³ /h)
3010301	2"	Disc	120	1495	10	33
3010302	3"	Disc	120	1495	10	33
3010303	4"	Disc	120	2990	10	65

Product Code	Size	Number in the package	number in the box	Box dimensions (cm)	Box weight (kg)
3010301	2"	1	1	75x36x24	9
3010302	3"	1	1	75x36x24	10
3010303	4"	1	1	75x36x24	12





Polymer Hydrocyclone



- *Product Name : Hydrocyclone 2"*
- *Product Code : 3010401*

- *Product Name : Hydrocyclone 3"*
- *Product Code : 3010402*

- *Product Name : Hydrocyclone 4"*
- *Product Code : 3010403*

Configuration & Advantages

- *Size : 2" – 3" – 4"*
- *Material: Polyamide with fibers (PA-GF)*
- *Used to separate sand and other solid materials*
- *Water pre-filtration*

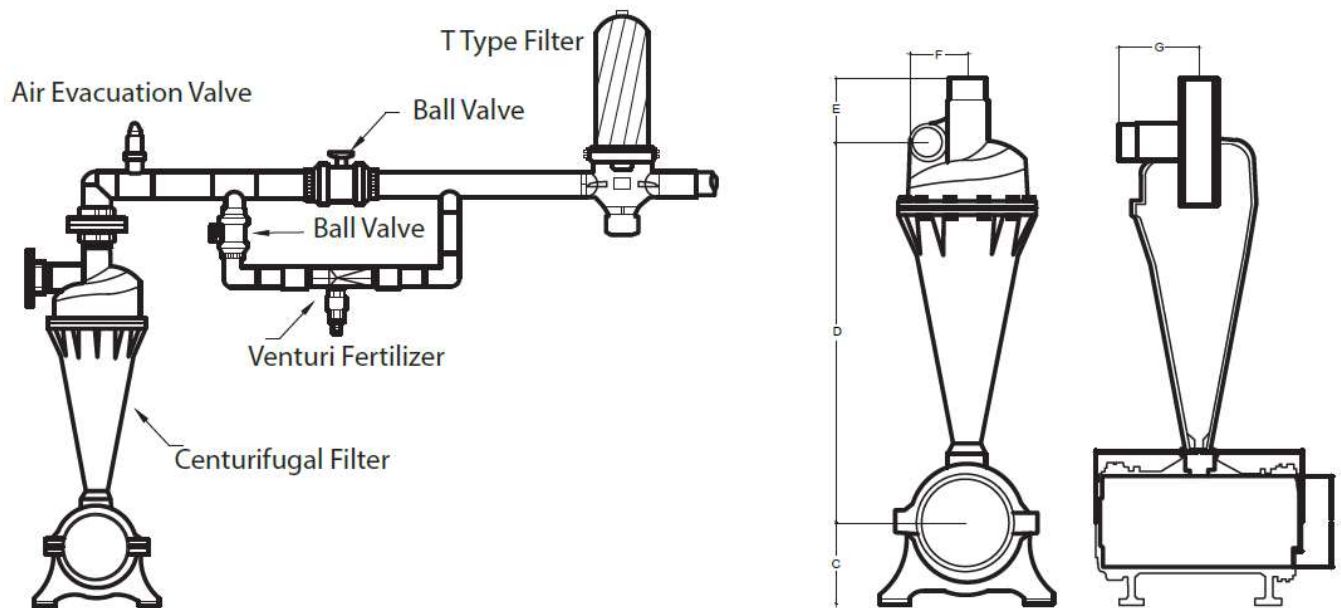


Technical specifications table

Product Code	Size	Filtration type	Maximum pressure (bar)	Max flow (m ³ /h)
3010401	2"	Hydrocyclone	10	50
3010402	3"	Hydrocyclone	10	50
3010403	4"	Hydrocyclone	10	50

Product Code	Size	Number in the package	number in the box	Box dimensions (cm)	Box weight (kg)
3010401	2"	1	1	43.5x28.5x25	13.4
3010402	3"	1	1	98.5x51.5x39	22.6
3010403	4"	1	1	120x61x63	37.6

Product Code	C	D	E	F	G	H(mm)	L(mm)	Weight(kg)
3010401	165	810	120	115	185	215	380	11.2
3010402	198	911	152	133	200	230	500	18.5
3010403	235	1057	190	198	273	280	565	32.3



Installation Schematic Diagram



Automatic Filtration System with metal collector



- **Product Name :** Automatic Filtration System (Metal collector)
- **Product Code :** 3011302

Configuration & Advantages

- *Flow rate: 1 liter per second and above*
- *Number of units: the possibility of production from one unit up*
- *Collector material: metal with electrostatic powder coating*
- *Backwash solenoid (24V- AC)*
- *Tee backwash polymer valve made of polyamide with fibers (PA-GF)*
- *Controller with the function of pressure difference and time interval*
- *Cast iron Victaulic fastener with EPDM rubber*
- *16 bar steel manometer*
- *Base material: cast iron with electrostatic powder coating*
- *Filtration type: disk*
- *Polymer filter material: Polyamide with fibers (PA-GF)*
- *Disc material: PP*
- *Filtration surface : 120 mesh*
- *Connection type: flange*
- *Polymer filter size: 2" - 3" - 4"*



Automatic Filtration System with polymer collector



- **Product Name :** Automatic Filtration System (Polymer collector)
- **Product Code :** 3010601

Configuration & Advantages

- Flow rate: 1 liter per second and above
- Number of units: the possibility of production from one unit up
- Collector material: polymer (P.P)
- Backwash solenoid (24V- AC)
- Tee backwash polymer valve made of polyamide with fibers (PA-GF)
- Controller with the function of pressure difference and time interval
- Victaulic fastener with EPDM rubber
- 16 bar steel manometer
- Base material: cast iron with electrostatic powder coating
- Filtration type: disk
- Polymer filter material: Polyamide with fibers (PA-GF)
- Disc material: PP
- Filtration surface : 120 mesh
- Connection type: flange
- Polymer filter size: 2" - 3" - 4"



Hydraulic Back Wash Valve



- **Product Name :** Hydraulic back wash valve
- **Product Code :** 3021001-3

Configuration

Product Description:

The ARDE back wash valve is a small type tee valve, this is a double cavity diaphragm type hydraulic control valves with hydraulic driver. This valve is used for automatic backwashing of the system. The direction of the incoming flow is straight from the inside and angled.

Procedure:

1) The external pressure increases in the control chamber. 2) The diaphragm causes the pulley part to move. 3) This causes the body to move. 4) The original valve makes the sealing strip hard. Simultaneous water flow it is established from the main outlet and 5) leads to discharge of pollution. After leaving water from the control hole to the outside of the pressure system and spring 6) causes the valve to return it becomes a filtering mode.



Technical specifications table

Product Name	Product Code	Size	Connection type	Maximum pressure (bar)	Working pressure (bar)
Hydraulic back wash valve	3021001	2"	Victaulic	10	50
	3021002	3"		10	50
	3021003	4"		10	50



Automatic filtration package components



- **Product Name :** Controller
- **Product Code :** 3110401-5
 - Operating temperature: 0-60 degrees Celsius
 - Voltage type : 24V - AC
 - Number of stations: 2- 4- 6- 8- 10
 - Equipped with LCD
 - Application according to time and pressure difference



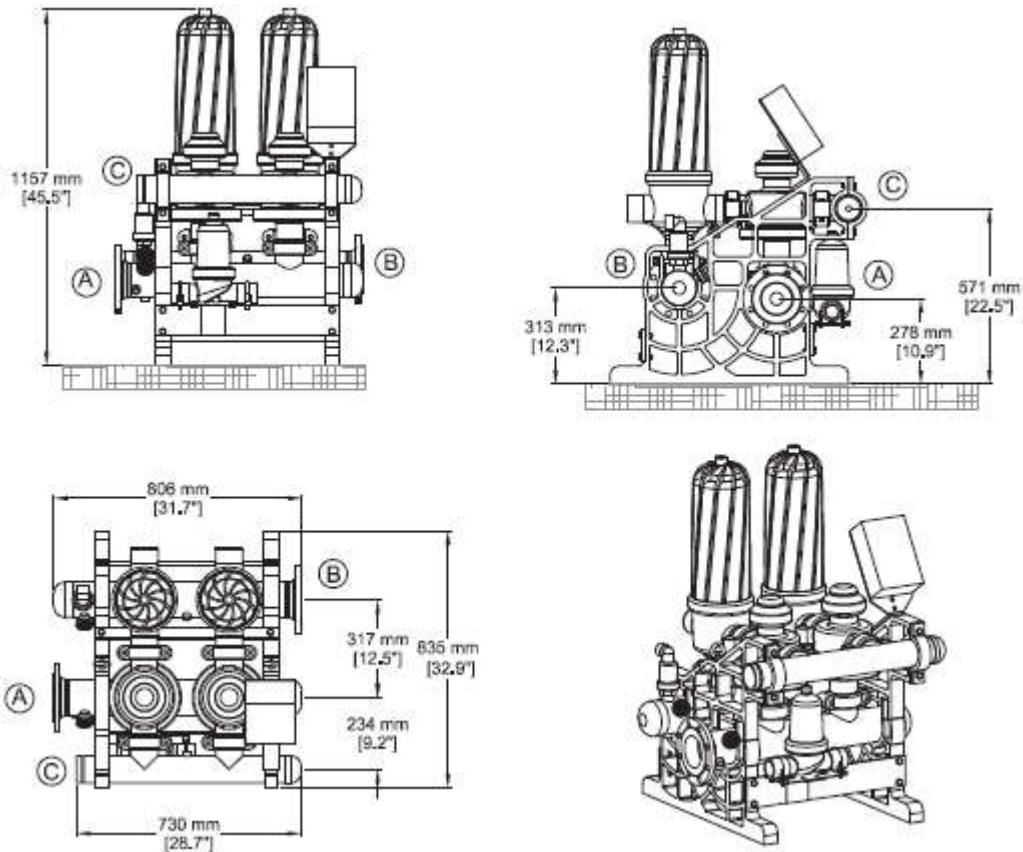
- **Product Name :** Solenoid back wash valve
- **Product Code :** 3110501
 - Base material: Polyamide with fibers (PA – GF)
 - Operating pressure : 10 bar
 - Working temperature: 5- 50 degrees Celsius
 - Working with air and water fluid
 - Voltage type : 24V-AC



- **Product Name :** Victaulic clamp
- **Product Code :** 3130201-8
 - Material : gray cast iron, ductile, steel 304 and 316
 - Size: 2"-10".
 - Color coating: electrostatic powder
 - Rubber material: EPDM



*Technical specifications of automatic disc filtration package
(metal collector and 2" filter)*

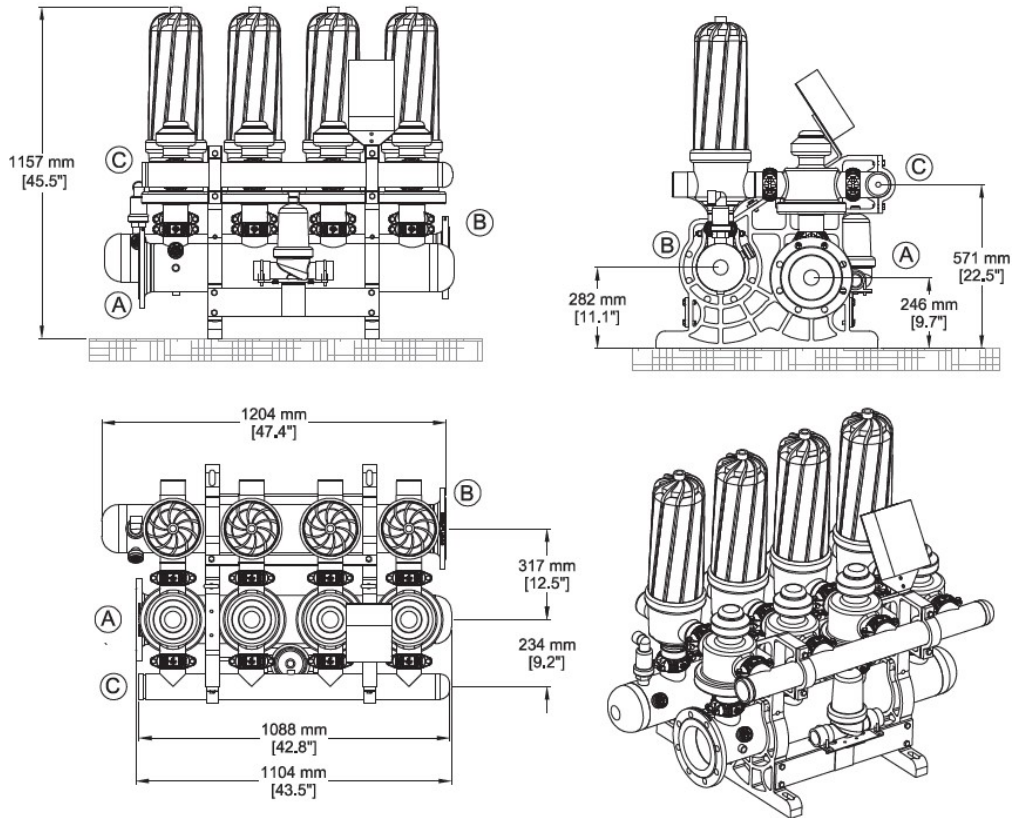


A : Inlet Pipe B : Outlet Pipe C : Bypass Tube

Product Code	Polymer filter size	Number of polymer filters	A	B	C	Maximum input current	Maximum operating pressure	Type	Mesh	Micron
3010501	2"	2	4"	4"	3"	52	10	Disc	120	130
3010502	2"	3	4"	4"	3"	78	10	Disc	120	130
3010503	2"	4	6"	6"	3"	104	10	Disc	120	130
3010504	2"	5	6"	6"	3"	130	10	Disc	120	130
3010505	2"	6	6"	6"	3"	156	10	Disc	120	130
3010506	2"	7	8"	8"	3"	184	10	Disc	120	130
3010507	2"	8	8"	8"	3"	208	10	Disc	120	130



Technical specifications of automatic disc filtration package
(metal collector and 3" filter)

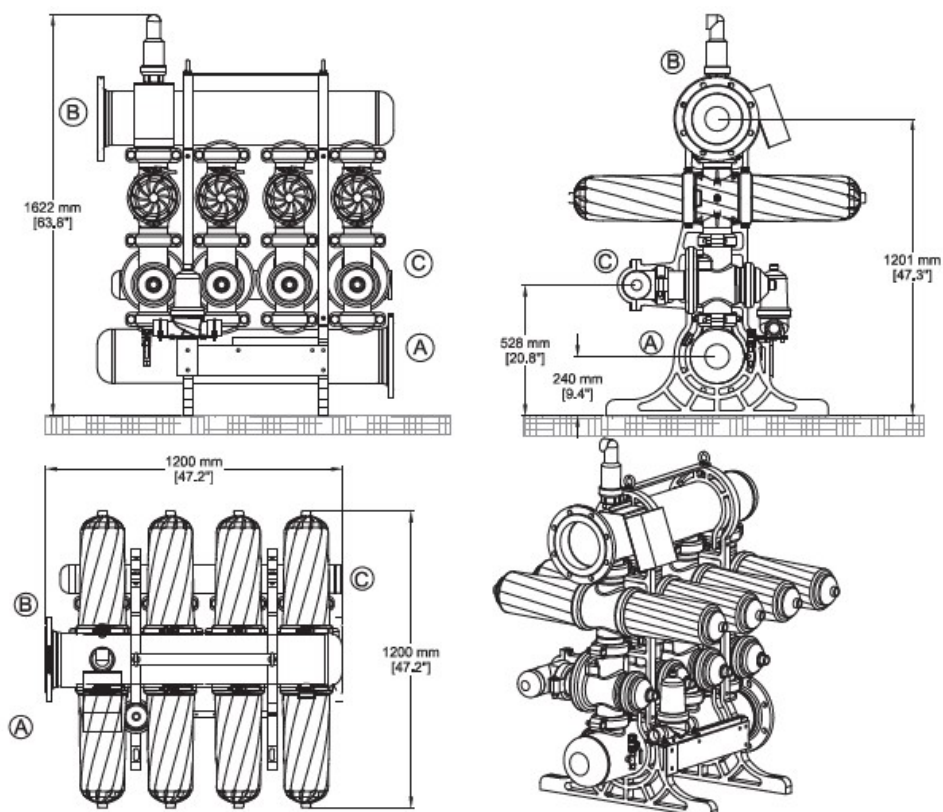


A : Inlet Pipe B : Outlet Pipe C : Bypass Tube

Product Code	Polymer filter size	Number of polymer filters	A	B	C	Maximum input current	Maximum operating pressure	Type	Mesh	Micron
3011003	3"	3	6"	6"	4"	156	10	Disc	120	130
3011004	3"	4	8"	8"	4"	208	10	Disc	120	130
3011005	3"	5	8"	8"	4"	260	10	Disc	120	130
3011006	3"	6	10"	10"	4"	312	10	Disc	120	130
3011007	3"	7	10"	10"	4"	368	10	Disc	120	130
3011008	3"	8	10"	10"	4"	416	10	Disc	120	130
3011009	3"	9	12"	12"	4"	468	10	Disc	120	130
3011010	3"	10	12"	12"	4"	520	10	Disc	120	130
3011011	3"	11	12"	12"	4"	572	10	Disc	120	130
3011012	3"	12	12"	12"	4"	624	10	Disc	120	130



Technical specifications of automatic disc filtration package
(metal collector and 4" filter)



A : Inlet Pipe B : Outlet Pipe C : Bypass Tube

Product Code	Polymer filter size	Number of polymer filters	A	B	C	Maximum input current	Maximum operating pressure	Type	Mesh	Micron
3011003	4"	3	6"	6"	4"	156	10	Disc	120	130
3011004	4"	4	8"	8"	4"	208	10	Disc	120	130
3011005	4"	5	8"	8"	4"	260	10	Disc	120	130
3011006	4"	6	10"	10"	4"	312	10	Disc	120	130
3011007	4"	7	10"	10"	4"	368	10	Disc	120	130
3011008	4"	8	10"	10"	4"	416	10	Disc	120	130
3011009	4"	9	12"	12"	4"	468	10	Disc	120	130
3011010	4"	10	12"	12"	4"	520	10	Disc	120	130
3011011	4"	11	12"	12"	4"	572	10	Disc	120	130
3011012	4"	12	12"	12"	4"	624	10	Disc	120	130



SABA TRADING CO.



Make Planet Greener

Moscow office :

*Russia, 117041, Moscow, Akademika pontryagina st., No. 21
Tel. : +7 (903) 597-11-61*

Krasnodar office :

*Russia, 350020, Krasnodar, Severnaya st. 326, Floor 8, Office 818
Tel. : +7 (903) 597-11-61 +8 (861) 277-35-65*

Warehouse :

Russia, 350007., Krasnodar, Zakharova st., 10 Liter E



www.saba-trading.com

sales.saba-trading.com